

Roll No.

Total Pages : 04

BT-3/D-19

33105

MACHINE DRAWING

ME-205N

(Opt. I)

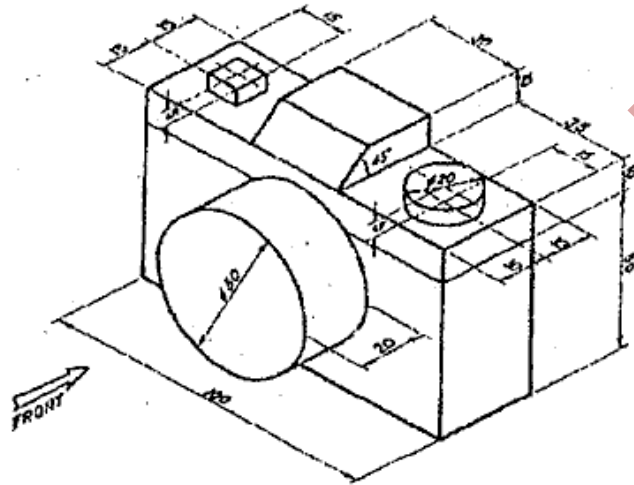
Time : Four Hours]

[Maximum Marks : 75

Note : Attempt *Three* questions in all, selecting at least *one* question from each Unit.

Unit I

1. (a) Explain the unilateral and bilateral tolerance. 5
(b) Explain the following terms with neat sketch :
Clearance and Interface. 10
2. Draw front view and top view. 15



3-25/5) L-33105

P.T.O.

L-33105

2

1,600

Unit II

3. Draw any *two* views of Connecting Rod. 15
4. Draw any *two* views of Sleeve and Cotter Joint. 15

Unit III

5. Draw any *two* views of the Machine Vice. Details are given below (Fig. attached). 45
6. Draw any *two* views of the Plumber Block. Details are given below. 45

